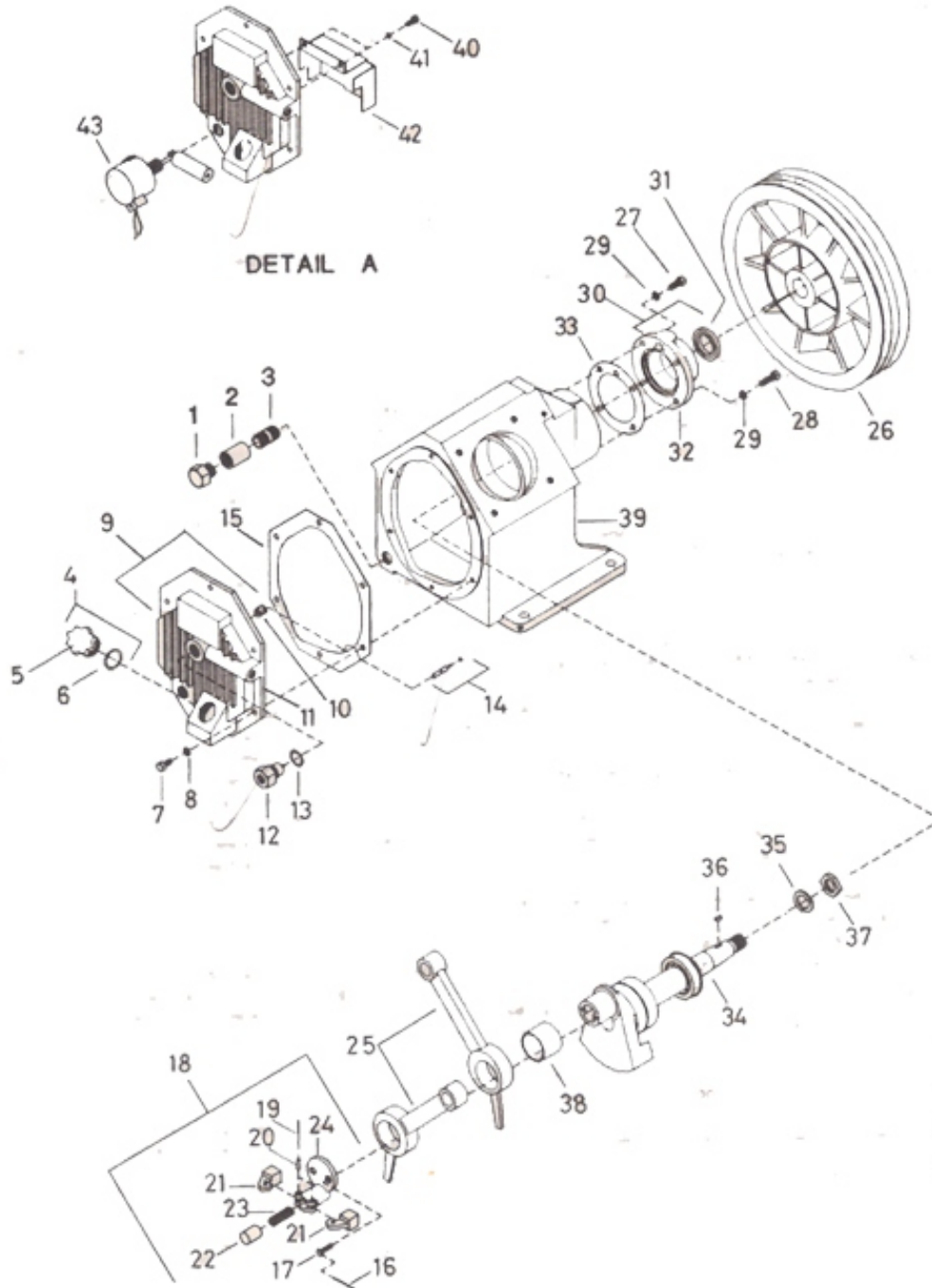


1. COMPRESSOR FRAME ASSEMBLY - MODEL 2540



All manufacturer's names, numbers, photos, product description and/or part numbers are used for reference purposes only & it is not implied that any part listed is the product of these manufacturers. Since Approvement are made from time to time, the illustration and specifications are subject to change without notice.

1. COMPRESSOR FRAME ASSEMBLY - MODEL 2540

| No. | Description | Ref Part No. | QTY |
|------|---|--------------|-----|
| 1-1 | Plug Pipe Hex. Head 1/2" | 95344651 | 1 |
| 1-2 | Coupling Pipe 1/2" | 32179061 | 1 |
| 1-3 | Nipple Pipe 1/2 X 1-1/2" | 95273330 | 1 |
| 1-4 | Plug Oil Filler - Complete | 30216055 | 1 |
| 1-5 | – Plug Oil Filler | NSS | 1 |
| 1-6 | – O-Ring | 95018149 | 1 |
| 1-7 | Capscrew-Hex | 95227302 | 6 |
| 1-8 | Gasket, Copper Washer - 5/8" | 95674651 | 6 |
| 1-9 | Cover Assembly, Frame End | 32183949 | 1 |
| 1-10 | – Bushing, Pilot Valve | 37127057 | 1 |
| 1-11 | Plug Pipe, Hex. Head 3/4" | 95200333 | 1 |
| 1-12 | Valve, Pilot | 37113701 | 1 |
| 1-13 | Washer Copper | 30346597 | 1 |
| 1-14 | Pin Assembly, Thrust | 32028698 | 1 |
| 1-15 | Gasket, Frame End Cover | 32183956 | 1 |
| 1-16 | Lockwire, 12 Ga X 5 | 90799289 | 1 |
| 1-17 | Capscrew - Head | 30278667 | 2 |
| 1-18 | Cap Assembly, Crankpin - Centrifugal Unloader | 30289110 | 1 |
| 1-19 | – Lockwire, 12 Ga X 4" | 32006587 | 1 |
| 1-20 | – Pin Centrifugal Unloader Weight | 30215008 | 2 |
| 1-21 | – Weight, Centrifugal Unloader | 30221725 | 2 |
| 1-22 | – Plunger, Centrifugal Unloader | 30216113 | 1 |
| 1-23 | – Spring, Centrifugal Unloader | 30416978 | 1 |
| 1-24 | – Body Crankpin Cap | 30210447 | 1 |
| 1-25 | Rod Connecting | 32198160 | 2 |
| 1-26 | Wheel, V-Belt | 32177834 | 1 |
| 1-27 | Capscrew - Hex. Head | 95227302 | 2 |
| 1-28 | Capscrew - Hex. Head | 95079984 | 2 |
| 1-29 | Gasket, Copper Washer - 5/16 | 95674651 | 4 |
| 1-30 | Cover Assembly, Shaft End | 32183972 | 1 |
| 1-31 | – Seal Oil | 32204570 | 1 |
| 1-32 | – Cover Shaft End | NSS | 1 |
| 1-33 | – Gasket, Shaft End Cover | 30280531 | 1 |
| 1-34 | Crankshaft - Complete With Bearings | 32203200 | 1 |
| 1-35 | – Lockwasher, Spring 7/8" | 95043162 | 1 |

All manufacturer's names, numbers, photos, product description and/or part numbers are used for reference purposes only & it is not implied that any part listed is the product of these manufacturers. Since Approvement are made from time to time, the illustration and specifications are subject to change without notice.

1. COMPRESSOR FRAME ASSEMBLY - MODEL 2540

| No. | Description | Ref Part No. | QTY |
|-------|----------------------------------|--------------|-----|
| 1-36 | – Key Woodruff | 95433173 | 1 |
| 1-37 | – Nut, V-Belt Wheel | 95098315 | 1 |
| 1-38 | – Bushing Crankpin | 30210165 | 1 |
| 1-39 | Frame, Compressors | 32203192 | 1 |
| | Detail A | | |
| 1-40 | Capscrew - Hex. | 95053070 | 1 |
| 1-41 | Lockwasher, Spring 1/4" | 32035479 | 1 |
| 1-42 | Baffle, Low Oil Level Switch | 32270654 | 1 |
| 1-43 | Switch, Low Oil Level - Optional | 70235262 | 1 |
| *1-44 | Valve Check 1" | 30279392 | 1 |

All manufacturer's names, numbers, photos, product description and/or part numbers are used for reference purposes only & it is not implied that any part listed is the product of these manufacturers. Since improvement are made from time to time, the illustration and specifications are subject to change without notice.