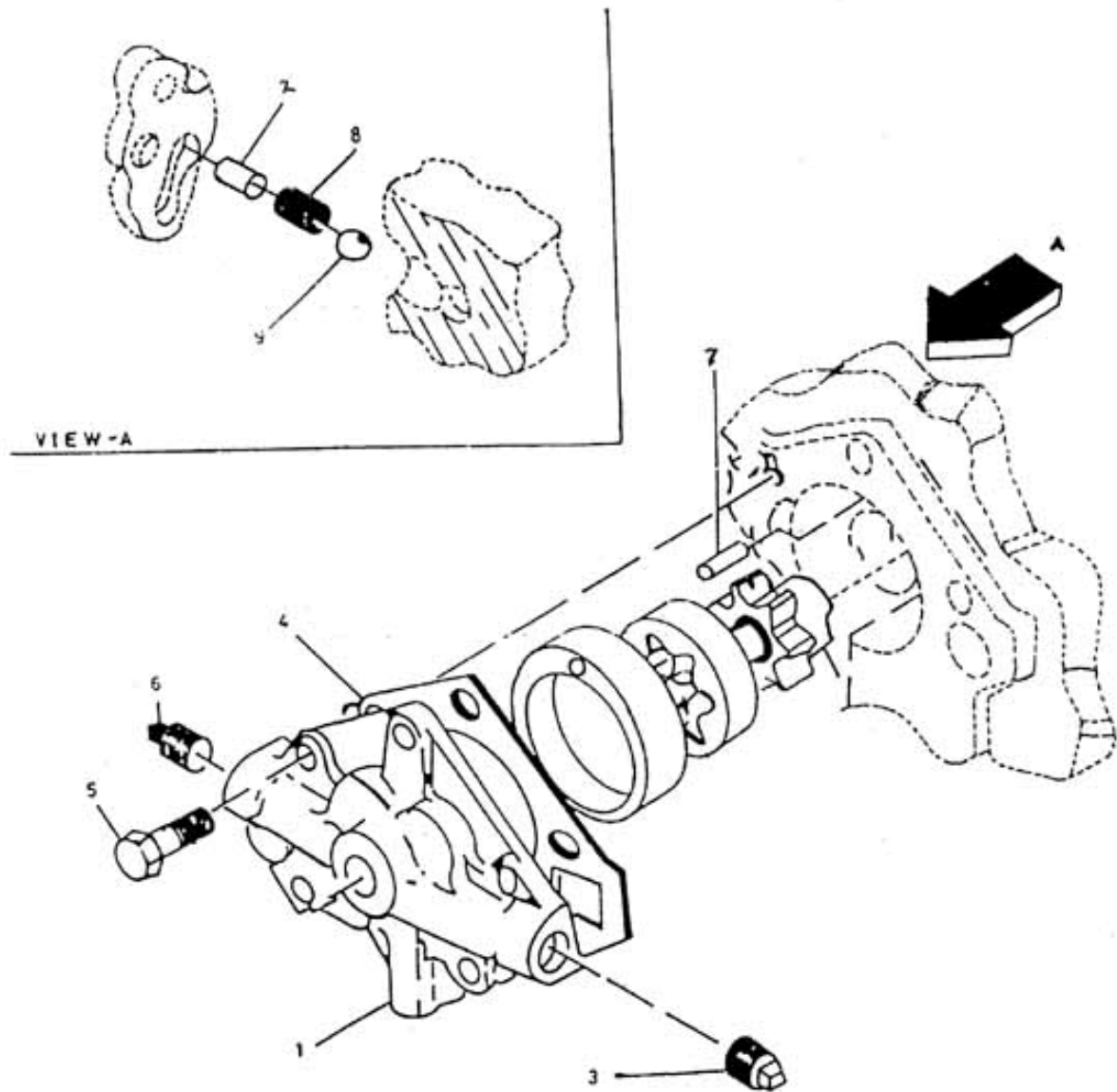


## 6. ASSEMBLY OIL PUMP COVER - MODEL 8 x 7 NL



All manufacturer's names, numbers, photos, product description and/or part numbers are used for reference purposes only & it is not implied that any part listed is the product of these manufacturers. Since Approvement are made from time to time, the illustration and specifications are subject to change without notice.

## 6. ASSEMBLY OIL PUMP COVER - MODEL 8 x 7 NL

No.	Description	Ref Part No.	QTY
1	Cover Oil Pump With Bush	39863683	1
2	Dowel Pin - Oil Pump 1/4" X 1"	95033825	1
3	Plug Pipe Sq. Hd 1/2"	95033619	1
4	Gasket Cover Oil Pump	30205280	1
5	Bolt Hex Head 7/16" X 1"	95104006	5
6	Plug Counter Shunk 3/8"	95101705	1
7	Pin Roll 5/16" X 1	95098653	1
8	Spring Valve Relief	30508741IM	1
9	Ball Relief Valve 1/2"	95226627	1

All manufacturer's names, numbers, photos, product description and/or part numbers are used for reference purposes only & it is not implied that any part listed is the product of these manufacturers. Since improvement are made from time to time, the illustration and specifications are subject to change without notice.