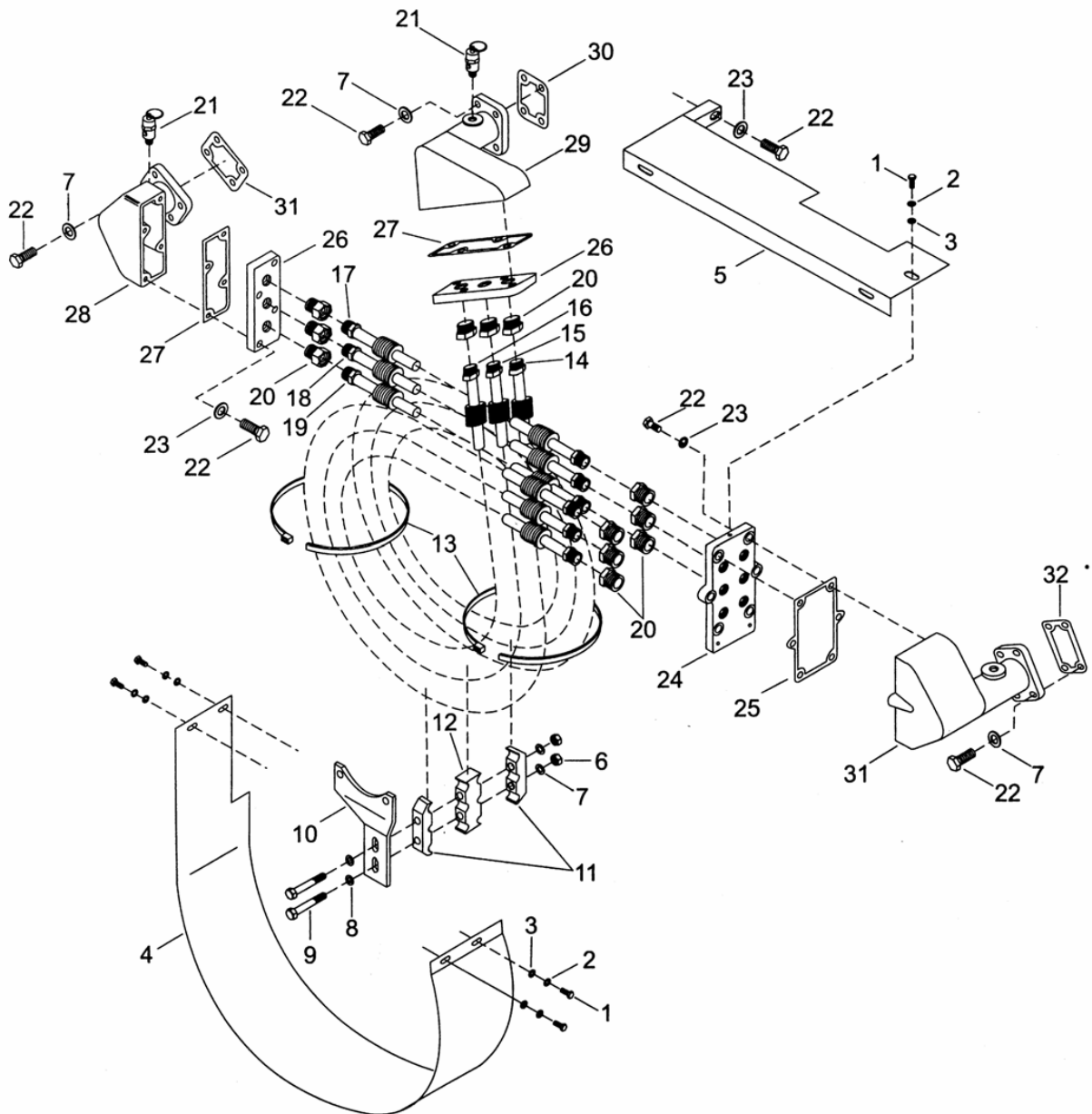


7. INTERCOOLER & SHROUD ASSEMBLY - MODEL 3000



All manufacturer's names, numbers, photos, product description and/or part numbers are used for reference purposes only & it is not implied that any part listed is the product of these manufacturers. Since Approvement are made from time to time, the illustration and specifications are subject to change without notice.

7. INTERCOOLER & SHROUD ASSEMBLY - MODEL 3000

No.	Description	Ref Part No.	QTY
7-1	Capscrew, Hex Head - 1/4-20 X 1/2"	95053070	5
7-2	LockWasher, Spring -1/4"	95043196	5
7-3	Washer, Flat -1/4"	95094298	5
7-4	Shroud, Intercooler	32177693	1
7-5	Top, Shroud	32180713	1
7-6	Nut, Hex -3/8-16	95077764	2
7-7	LockWasher, Spring -3/8"	95081857	14
7-8	Washer, Flat -3/8"	95069597	2
7-9	Capscrew, Hex Head - 3/8-16 X 4"	95002895	2
7-10	Bracket, Intercooler	32175515	1
7-11	Clamp, Intercooler Tube - Outer	32165367	2
7-12	Clamp, Intercooler Tube - Center	32165383	1
7-13	Tie, Cable	95370888	2
7-14	Assembly, Intercooler Tube - Finned -#3	32197006	1
7-15	Assembly, Intercooler Tube - Finned -#2	32196990	1
7-16	Assembly, Intercooler Tube - Finned -#1	32196982	1
7-17	Assembly, Intercooler Tube - Finned -#3	32196974	1
7-18	Assembly, Intercooler Tube - Finned -#2	32196966	1
7-19	Assembly, Intercooler Tube - Finned -#1	32196958	1
7-20	Connector, Male - 5/8 X 1/2"	95083226	12
7-21	Valve, Relief - 80 PSIG	72062185	2
7-22	Capscrew, Hex Head -3/8-16 X 1"	95079612	27
7-23	Lockwasher, Spring - 3/8"	95081857	15
7-24	Flange, Intercooler - High Pressure	32180697	1
7-25	Gasket, Flange - High Pressure	32160566	1
7-26	Flange, Intercooler - Low Pressure	32160475	2
7-27	Gasket, Flange - Low Pressure	32160558	2
7-28	Manifold, Intercooler - #1 Low Pressure	32160491	1
7-29	Manifold, Intercooler - #2 Low Pressure	32160509	1
7-30	Gasket, Manifold - Low Pressure	32153801	2
7-31	Manifold, Intercooler - High Pressure	32164519	1
7-32	Gasket, Manifold - High Pressure	32153827	1

All manufacturer's names, numbers, photos, product description and/or part numbers are used for reference purposes only & it is not implied that any part listed is the product of these manufacturers. Since Approvement are made from time to time, the illustration and specifications are subject to change without notice.