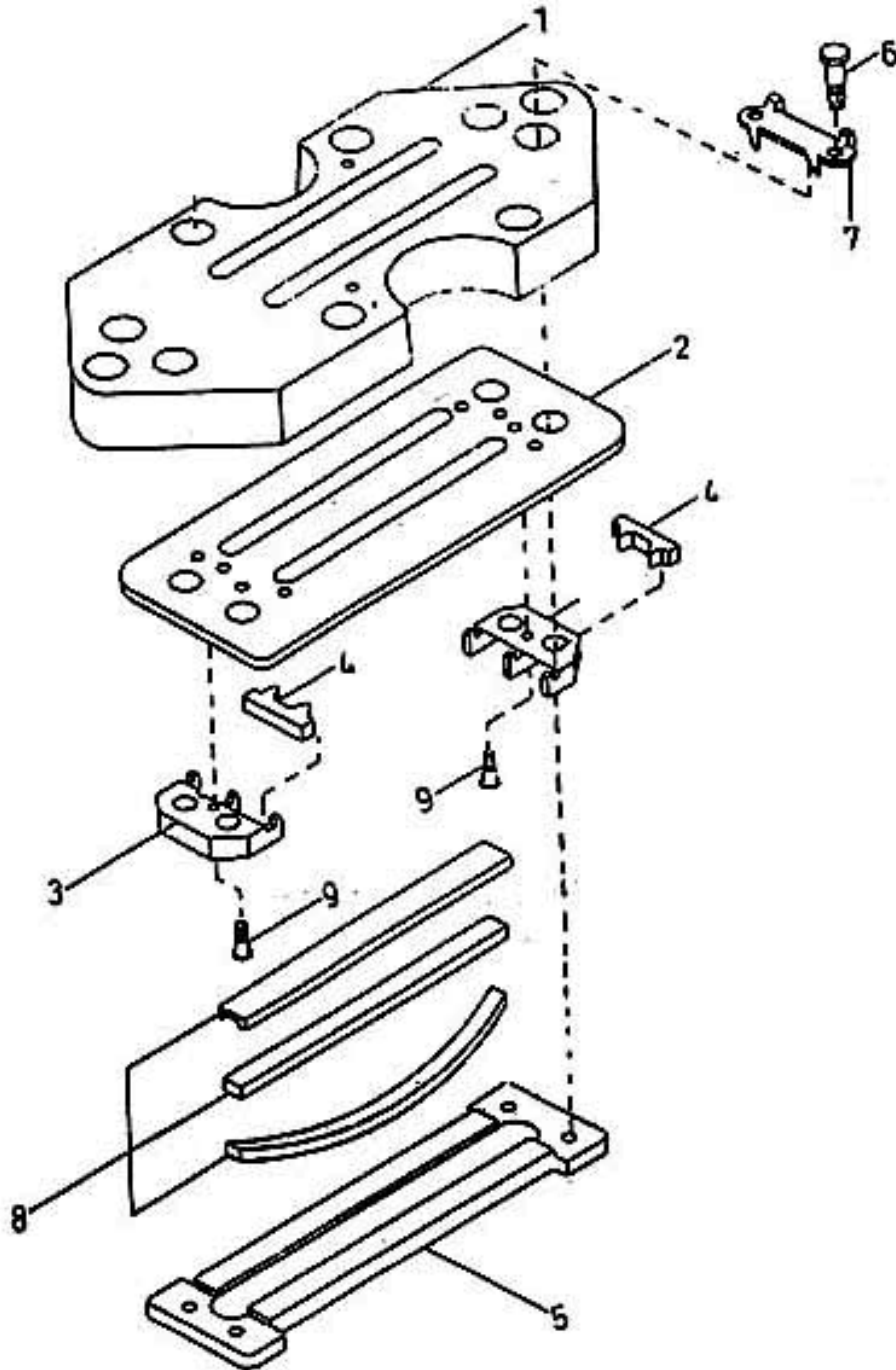


## 21. ASSEMBLY VALVE INLET - MODEL 7 x 5 NL



All manufacturer's names, numbers, photos, product description and/or part numbers are used for reference purposes only & it is not implied that any part listed is the product of these manufacturers. Since Approvement are made from time to time, the illustration and specifications are subject to change without notice.

## 21. ASSEMBLY VALVE INLET - MODEL 7 x 5 NL

| No. | Description                   | Ref Part No. | QTY |
|-----|-------------------------------|--------------|-----|
| –   | Assembly Valve Inlet          | 37020278     | –   |
| 1   | – Seat Valve                  | 37074663     | 1   |
| 2   | – Seat Plate                  | 37020302IM   | 1   |
| 3   | – Holder Guide                | 37025491IM   | 2   |
| 4   | – Guide Valve **              | 37041324     | 4   |
| 5   | – Stop Plate                  | 37020393     | 1   |
| 6   | – Bolt Hex Head 1/4" X 1-1/2" | 95105466     | 6   |
| 7   | – Washer Lock                 | 31324460     | 2   |
| 8   | – Channel & Spring Set        | 37020377IM   | 1   |
| 9   | – Screw Guide                 | 31208549IM   | 2   |